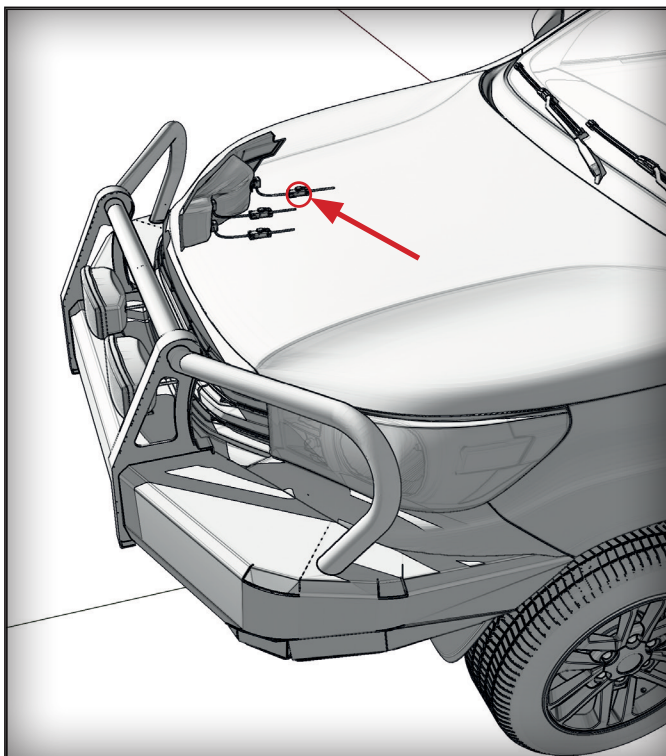
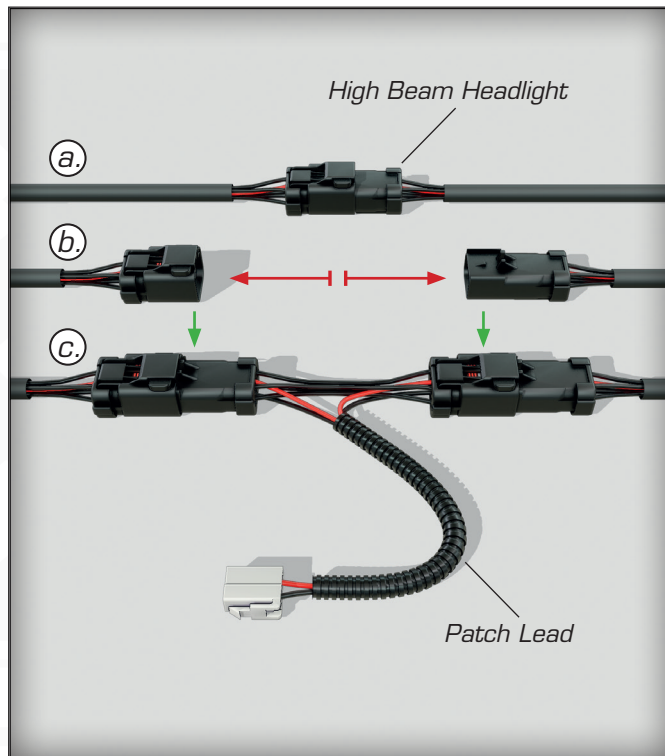


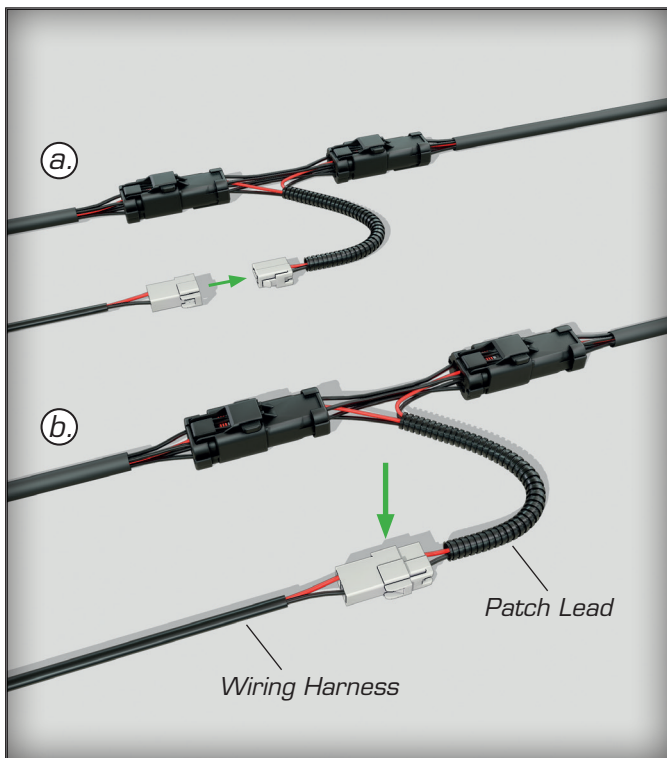
DRIVING LAMP PATCH LEAD INSTALLATION



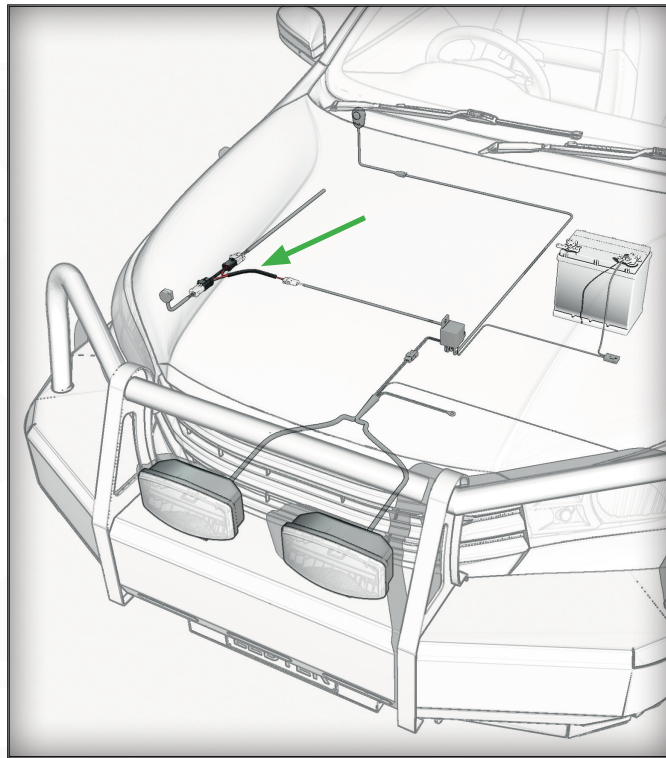
1. Locate High Beam Headlight plug in engine bay.
(Plug location & connector will vary depending on vehicle model)



2. Disconnect High Beam Headlight plug & patch in supplied loom inline.



3. Complete connection by joining the Wiring Harness plug to Patch Lead plug.



4. Ensure all circuits are complete & plugs secure before testing.